

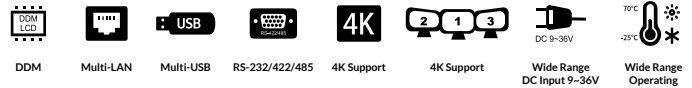
Eagle Eyes-AIMV

6th/7th Generation Intel® Core™ U Series Processor Fanless Box Computer, 4x M12 GbE/PoE



Features

- 6th/7th gen Intel® platform (formerly Skylake/Kaby Lake), Core™ U series processor
- Intelligent eKit with AI function to monitor system health via DDM
- Special Power Design:
 - Wide voltage 9~36V DC input
 - RVP/OVP/UVI/OCV support
 - Surge protection: 80V/1ms
 - Power ignition control
- Easy Expansion & Installation:
 - Remote on/off power switch with LED
 - Easily replaceable RTC battery holder
 - 2x SIM push-push slots

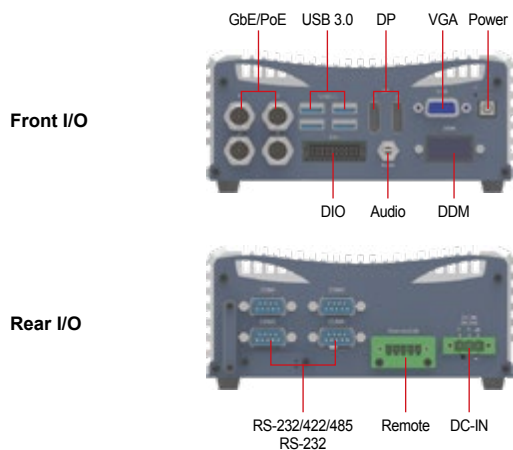


Specifications

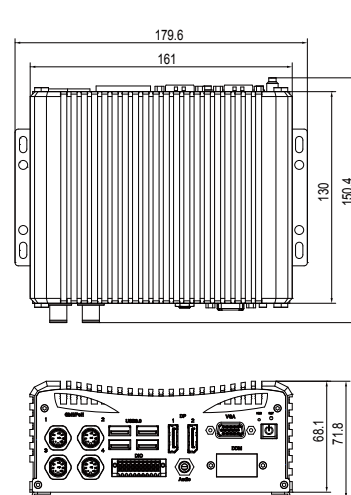
System	
6th Gen Intel® Core™ U-Series	Core™ i7-6600U (2/4 Cores, 2.6 GB/3.4 GHz, 4M Cache, 15W TDP) Core™ i5-6300U (2/4 Cores, 2.4 GHz/3.0 GHz, 3M Cache, 15W TDP) Core™ i3-6100U (2/4 Cores, 2.3 GHz, 3M Cache, 15W TDP) Celeron® 3955U (2/2 Cores, 2.0 GHz, 2M Cache, 15W TDP)
7th Gen Intel® Core™ U-Series	Core™ i7-7600U (2/4 Cores, 2.8 GB/3.9 GHz, 4M Cache, 15W TDP) Core™ i5-7300U (2/4 Cores, 2.6 GHz/3.5 GHz, 3M Cache, 15W TDP) Core™ i3-7100U (2/4 Cores, 2.4 GHz, 3M Cache, 15W TDP) Celeron® 3965U (2/2 Cores, 2.2 GHz, 2M Cache, 15W TDP)
Memory	1x SO-DIMM DDR4 2133 (32GB Max.)
Graphics	Intel® HD Graphics 510 (3955U) Intel® HD Graphics 520 (Skylake) Intel® HD Graphics 610 (3965U) Intel® HD Graphics 620 (Kaby Lake)
BIOS	AMI 128Mbit SPI BIOS
AI Controller (AIC)	AI for system monitoring and predictive analysis
Watchdog Timer	Runtime: 10 – 65535 seconds Powerup: 120 – 65535 seconds
TPM (optional)	SLB9665 (TPM 2.0) / SLB9635 (TPM 1.2)
Power	
DC Input	9~36VDC
Surge Protection	80V/1ms
Power in Protection	Reverse-Voltage, Over-Voltage, Under-Voltage, Over-Current
Remote/Ignition	1x ATX power on/off switch, 5-pin terminal block including 3-pin remote control and 2-pin ignition signals (pitch 3.81 mm)
Power Mode	AT/ATX (BIOS setting)
Mechanical	
Dimensions (WxDxH)	161(W) x 130(D) x 68.1(H) mm (6.34" x 5.12" x 2.68")
Weight (net/gross)	1.7kg
Mounting	Wall mount bracket, foot stand
Construction	Aluminum and metal chassis with fanless design
Battery	Easily replaceable RTC battery holder
Dynamic Display Module (DDM)	0.96 inch LCM work with AIC to display system status
External IO	
Display Ports / Resolution	2x DP 4096x2304@60Hz 1x VGA/1920x1200@60Hz
Triple Display Ports	2x DP + 1x VGA
Ethernet	4x M12 GbE (1x Intel® i219 + 3x Intel® i210) / Wake-on-LAN and PXE / i219 supports iAMT 11.0 (AIMV6-i, AIMV6)
PoE (optional)	4x M12 GbE (1x Intel® i219 + 3x Intel® i210) PoE+ 802.3at support up to 30W (AIMV6-Pi, AIMV6-P)
USB 3.0/2.0	4x USB 3.0 ports via native XHCI controller (0.9A each port)
COM	2x RS-232/422/485 (auto flow control), 2x RS-232 port
Digital I/O	16-bit programmable DIO (AIMV6, AIMV6-P) 8-bit isolated DI & 8-bit isolated DO, sink/source mode, 5~48V, 100mA (AIMV6-i, AIMV6-Pi)
Audio	ALC892 HD audio codec, Mic in, Line out
SIM	2x SIM push-push slots

Storage	
Internal Drive Bay	1x Internal SATA port for 2.5" HDD/SSD
mSATA	1x mSATA (muxed with Mini-PCIe)
M.2	1x M.2 M Key 2242
Expansion Slot	
Mini-PCIe	1x full length Mini-PCIe (PCIe/mSATA + USB + USIM) 1x full length Mini-PCIe (PCIe + USB + USIM)
Other	
USB 2.0 Dongle	Internal 1x USB 2.0 for dongle security key
Antenna	4x antenna openings
LED	Power status, HDD status, IO status
Environment	
Operating Temperature	Standard: -20°C to 50°C (-4°F~122°F), supports 15W TDP CPU Extended temperature: -25°C to 70°C (-13°F~158°F)
Storage Temperature	-40°C to 85°C (-40°F to 185°F)
Relative Humidity	95% @ 40°C (104°F), non-condensing
Vibration During Operation	5Grms with SSD (IEC60068-2-64: random 5~500Hz)
Shock During Operation	50Grms with SSD (IEC60068-2-27: Half Sine, 11ms duration)
Certification	
EMC	CE/FCC Class A
Safety Certifications	CB
OS Support	
Windows	Windows 7 32-bit/64-bit (Skylake only) Windows 8.1 32-bit/64-bit (Skylake only) Windows Embedded Standard 7 (Skylake only) Windows Embedded 8 Standard (Skylake only) Windows 10 64-bit Windows 10 IoT
Linux	Linux

I/O Interfaces



Dimensions



Units: mm

I/O Comparison Chart

Model Name	DP	VGA	GbE (RJ45)	GbE / PoE (RJ45)	DIO	USB 3.0	RS-232	RS-232 / 422 / 485	Internal 2.5" Disk Bay
AIMV6-Pi	2	1	0	4	8-bit isolated DI & 8-bit isolated DO	4	2	2	1
AIMV6-P			0	4	16-bit DIO				
AIMV6-i			4	0	8-bit isolated DI & 8-bit isolated DO				
AIMV6			4	0	16-bit DIO				

Ordering Information

Model Name	* Following models include Intel® 6th Gen Skylake U (SKL-U) platform, 2x DP, 1x VGA, 4x USB 3.0, 2x RS-232/422/485, 2x RS-232, 1x Internal SATA port for 2.5" HDD/SSD		Article Number (A/N)
AIMV6-Pi	AIMV6-6600Pi	Core™ i7-6600U CPU, 4x GbE/PoE(M12), 8-bit isolated DI & 8-bit isolated DO	02071
	AIMV6-6300Pi	Core™ i5-6300U CPU, 4x GbE/PoE(M12), 8-bit isolated DI & 8-bit isolated DO	02072
Barebone System	AIMV6-6100Pi	Core™ i3-6100U CPU, 4x GbE/PoE(M12), 8-bit isolated DI & 8-bit isolated DO	02073
	AIMV6-3955Pi	Celeron® 3955U CPU, 4x GbE/PoE(M12), 8-bit isolated DI & 8-bit isolated DO	02074
AIMV6-P	AIMV6-6600P	Core™ i7-6600U CPU, 4x GbE/PoE(M12), 16-bit DIO	02075
	AIMV6-6300P	Core™ i5-6300U CPU, 4x GbE/PoE(M12), 16-bit DIO	02076
Barebone System	AIMV6-6100P	Core™ i3-6100U CPU, 4x GbE/PoE(M12), 16-bit DIO	02077
	AIMV6-3955P	Celeron® 3955U CPU, 4x GbE/PoE(M12), 16-bit DIO	02078
AIMV6-i	AIMV6-6600i	Core™ i7-6600U CPU, 4x GbE(M12), 8-bit isolated DI & 8-bit isolated DO	02079
	AIMV6-6300i	Core™ i5-6300U CPU, 4x GbE(M12), 8-bit isolated DI & 8-bit isolated DO	02080
Barebone System	AIMV6-6100i	Core™ i3-6100U CPU, 4x GbE(M12), 8-bit isolated DI & 8-bit isolated DO	02081
	AIMV6-3955i	Celeron® 3955U CPU, 4x GbE(M12), 8-bit isolated DI & 8-bit isolated DO	02082
AIMV6	AIMV6-6600	Core™ i7-6600U CPU, 4x GbE(M12), 16-bit DIO	02083
	AIMV6-6300	Core™ i5-6300U CPU, 4x GbE(M12), 16-bit DIO	02084
Barebone System	AIMV6-6100	Core™ i3-6100U CPU, 4x GbE(M12), 16-bit DIO	02085
	AIMV6-3955	Celeron® 3955U CPU, 4x GbE(M12), 16-bit DIO	02086

Optional Accessories

Isolated Module

iDIO-8I8O	8-bit isolated DI & 8-bit isolated DO module
-----------	--

AC-DC Power Adapter

AC-DC power adapter with pitch 5.0mm 3-pin terminal block plug	
ADT-24V60-T3A	24V/60W
ADT-24V90-T3A	24V/90W
ADT-24V120-T3A	24V/120W
ADT-24V160-T3A	24V/160W
ADT-24V220-T3A	24V/220W
ADT-24V280-T3A	24V/280W

AC Power Cord

H05VV-F 3G 0.75mm2, 1.8m, 250V, 10A	
PCBL-B12	YP12-YC12:category B type plug, TW/JP/US/CA/TH/PH/Central America
PCBL-D03	YP03-YC12:category D type plug, CN
PCBL-D35	YP35-YC12:category D type plug, AU/NZ
PCBL-G22	YP22-YC12:category G type plug, DE
PCBL-I61	YP61-YC12:category I type plug, UK/HK/MO/SG/MY

SO-DIMM Memory

DDR4-2133/2400 2GB/4GB/8GB/16GB/32GB	
SSD	mSATA SSD: 16GB/32GB/64GB/128GB/256GB/512GB/1TB
	2.5 inch SSD: 16GB/32GB/64GB/128GB/256GB/512GB/1TB
	2.5 inch HDD: 500GB/1TB/1.5TB/2TB

Wireless Module

Mini-PCIe wireless module for 3G/4G LTE/Wi-Fi/BT/NB-IoT/GPS/BDS

Cable & Connector

CBL-S01	SATA (Data + Power) cable x1
TBP5-S03	3-Pin, pitch5.0mm Female Terminal Block Plug for DC input x1
TBP3-S05	5-Pin, pitch3.81mm Female Terminal Block Plug for remote connector x1
TBP3-D20	2x10-Pin, pitch2.54mm Female Terminal Block Plug for DIO connector x1

Mounting Kit

WBK-AIH	Wall mount bracket x2 with M2.5x5 screws x4
---------	---

Packing List

Item No.

1	Eagle Eyes Embedded Box PC AIMV x1
2	Rubber foot x4 with M2.5x5 screws x4